



Optical Fiber Network

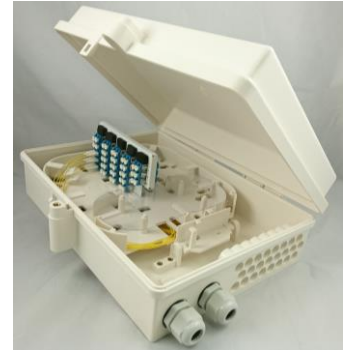
FTTH OptiBox-24(PFC-24)

Feature:

- Multipurpose optical closure for distribution, termination and splitting
- Suitable for indoor/outdoor fiber network distribution
- Compact size, light weight, easy to install
- Dedicated design for FTTH deployment
- Security screw lock
- Suitable for wall mount and pole installation
- IP55 protection
- Excellent UV properties (GE - FR15U or equivalent)
- Flame retardant ABS (UL94V-0) material
- Accommodate PLC splitter
- 2 inlet ports, 24 outlet ports



SC version



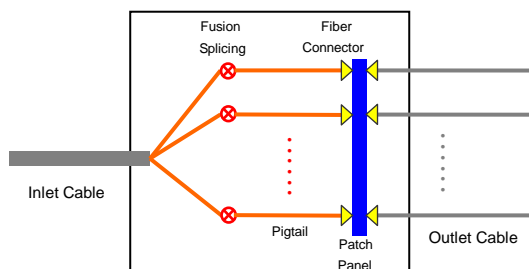
LC version



Inner view

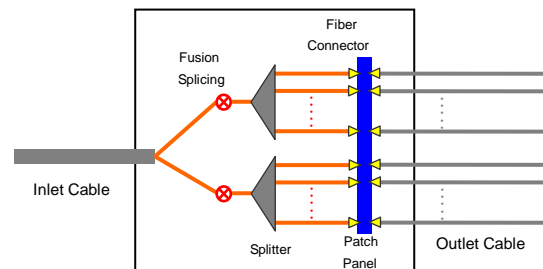
Application:

As a Distribution Box:



As a Splitter Box:

(1 x 1:16 or 3 x 1:8 PLC splitters)

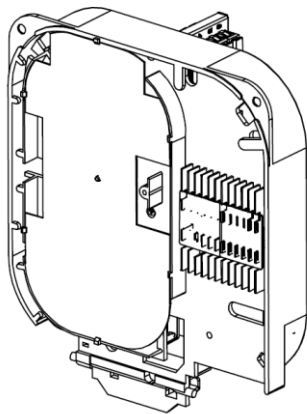




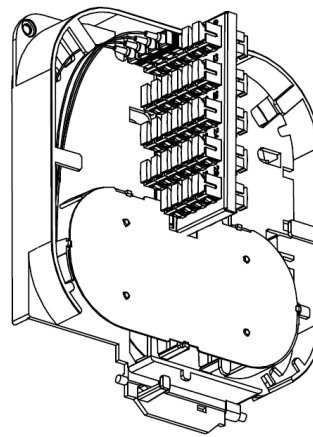
Easy to Arrange:

Patch Panel with double side. Allow fiber arrangement in different situations.

- Back side of Patch Panel :**
- Fiber storage
 - Splicing tray



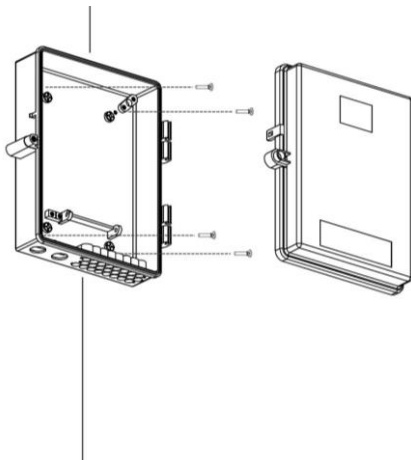
- Front side of Patch Panel :**
- Patching
 - Cable arrangement
 - Splitter storage



Easy to Install

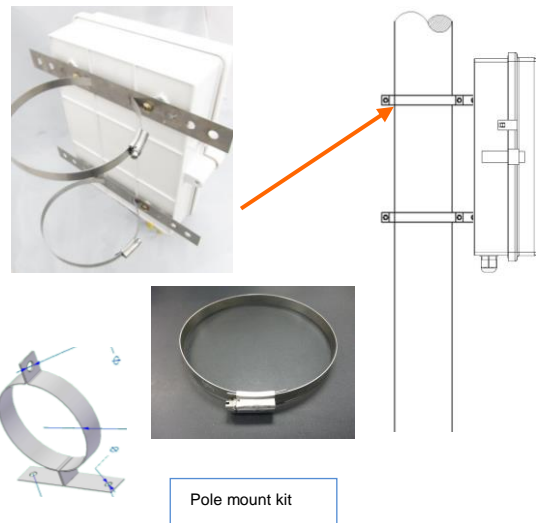
Wall-mount:

- Suitable for indoor / outdoor wall mount
- Direct screw fixing, no special mounting kit is needed
- Item required: Self tapping screw, wall plug



Pole-mount

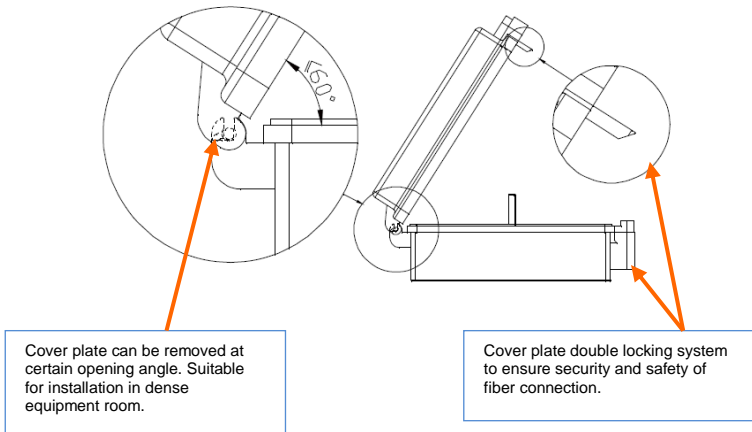
- Pre-installed nut for pole mounting
- Mounting kit is for different pole size is available
- Item required: Pole-mount installation kit in suitable pole size





Easy to Manage

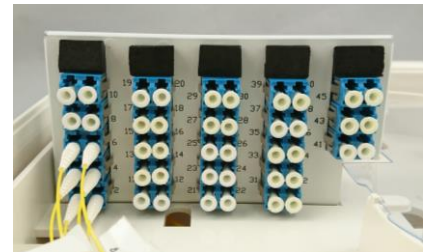
All-rounded security, protection, numbering mechanism to consider your needs in network deployment



Numbered patchpanel as of your need



SC version



LC version

Specification:

Parameter	Value
Dimension	302(H)x 256(W) x 95(D) mm
Weight	1.5 kg
Fiber capacity	Max. 24 (SC) / 40 (LC)
Adaptor capacity	Max. 28
Connector type	SC(simplex), LC(duplex)
Connector loss	0.2dB
Splicing method	Fusion, Mechanical
Inlet cable port	2
Inlet cable diameter	8~20mm
Outlet cable port	24
Outlet cable type	-Drop cable (2x3mm,2x4mm, Φ3.0mm); -Aerial drop cable (2x5mm, 2x6mm)



Accessories:

A. Fittings and installation accessories

No.	Item	Description
INFF001	Pole mount kit	Customer made mount kit with specified pole size
INFF010	Cable gland (S)	Cable diameter 8~11mm
INFF011	Cable gland (L)	Cable diameter 11~13.5mm
INFF020	Conduit adaptor	Fit for flexible conduit 20mm for cable protection
INFF030	Self-tapping screw	For wall mount installation
INFF900	Hanging kit	For hanging installation at suspension wire



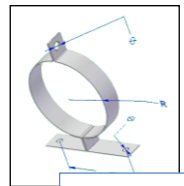
LC adaptor



SC adaptor

B. Optical component

No.	Item	Description
INF4001	SC adaptor (simplex)	Singlemode/multimode SC adaptor
INF4010	LC adaptor (duplex)	Singlemode/multimode LC adaptor
INF3331	Pigtail	Singlemode/multimode pigtail. Please indicate required length when order
INF3155	Fan-out kit	Please indicate required Cable Length/No. of Fan-out/Adaptor Type when order
INFF100	Spiral wrapping band	For fiber protection
INF6152	PLC splitter	PLC splitter in ratio 1x2, 1x4, 1x8, 1x16
INFF150	Cable stopper	Fix and protect outlet cable
INFF300	Protective sleeve	For fusion splicing



Pole mount kit



Conduit adaptor



Cable stopper

Ordering information

Please contact our nearest sales with following information:

Order No.	Description	Remark
INF7133 - WWXXYYZ	FTTH OptiBox 24	-
INF7133 - 28SCSMW	28 SC adaptors, Single mode, wall mount	Example
INF7133 - 23DLSMW	23 LC duplex adaptors, Single mode, wall mount	Example

WW = number of adaptors (00 ~ 28);
 XX = adaptor type (SC ; LC (Simplex LC) ; FC ; DL (Duplex LC));
 YY = SM (Single mode) ; MM (multimode);
 Z = installation method (W = wall mount ; P = pole mount)



*These figures are nominal values.
 *Infinite Cable System reserves the right to modify products and specifications without prior notice.

